

53/122

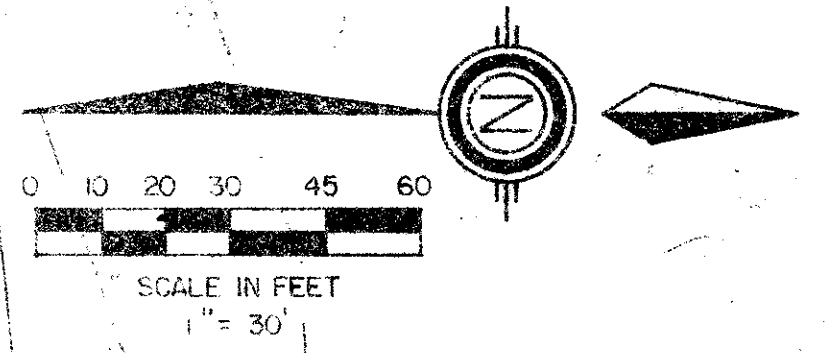
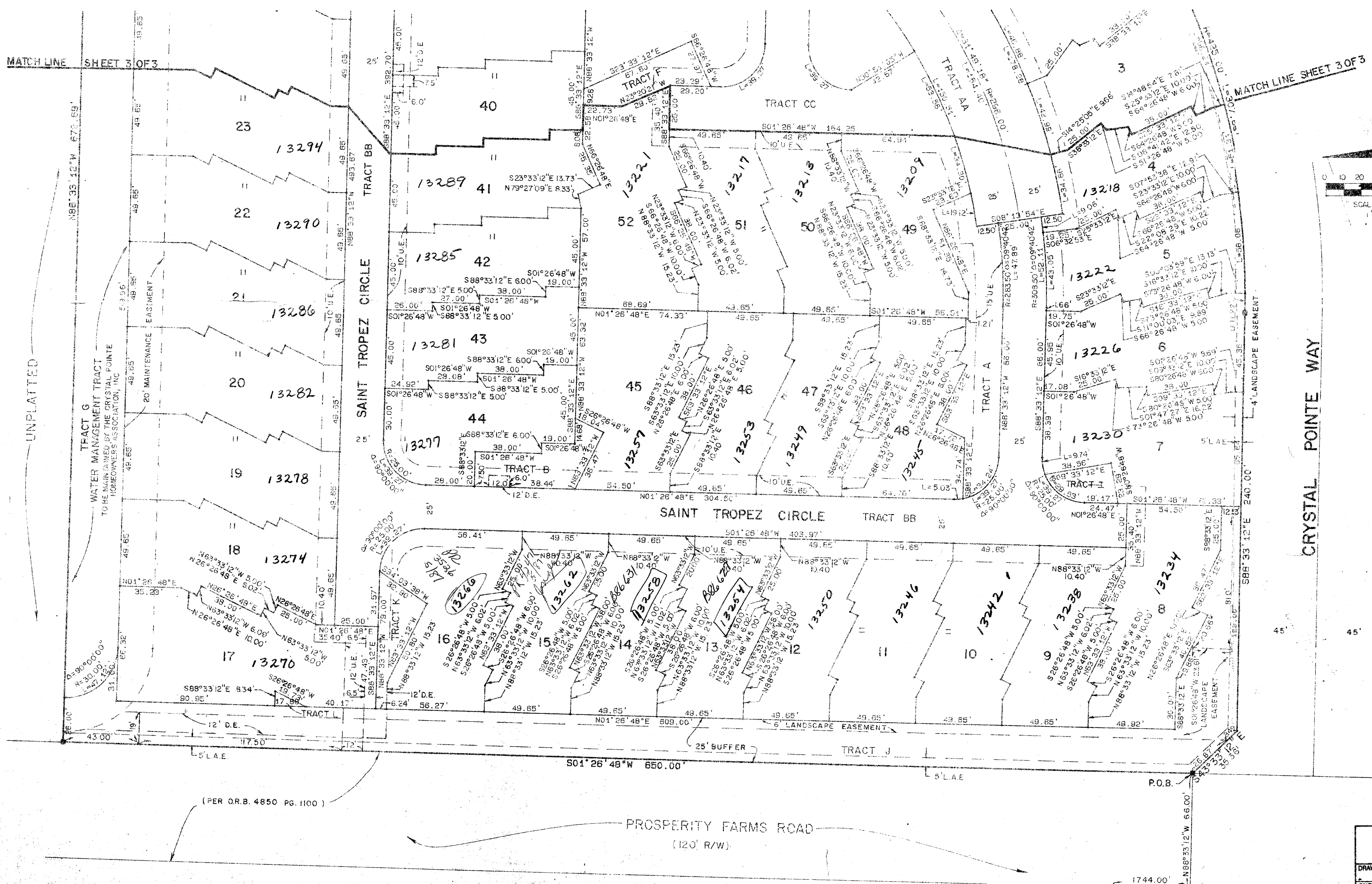
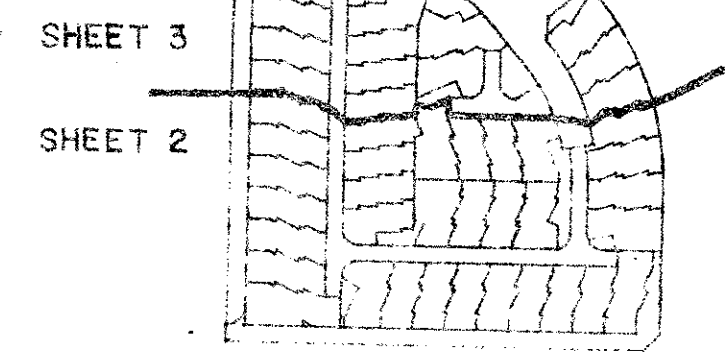
122

# CRYSTAL POINTE PLAT TWO

PART OF CRYSTAL POINTE P.U.D.  
SITUATE IN SECTION 29, TOWNSHIP 41 SOUTH, RANGE 43 EAST  
PALM BEACH COUNTY, FLORIDA

SHEET 2 OF 3

STATE OF FLORIDA  
COUNTY OF PALM BEACH  
THIS PLAT WAS FILED FOR  
RECORD \_\_\_\_\_ DAY OF \_\_\_\_\_  
AD, 1986 AND DULY RECORDED  
IN PLAT BOOK \_\_\_\_\_ ON PAGES  
\_\_\_\_\_ AND \_\_\_\_\_  
JOHN B. DUNKLE, CLERK  
BY: \_\_\_\_\_, D.C.



CRYSTAL POINTE PLAT ONE  
PB. 53, PG. 121 thru 123

0291-002  
53  
122

APP. BY [Signature]  
CHECKED BY [Signature]

Meridian Surveying and mapping inc. 2328 SO. CONGRESS AVE. WEST PALM BEACH, FL.

DRAWN	M.H.C.	DATE	FEB. 1986
CHECKED		SCALE	1" = 30'
DRAWING NO.	85-P2-035		

CRYSTAL POINTE PLAT TWO  
PART OF  
CRYSTAL POINTE P.U.D.

P.O.C. S.E. COR. S.W. 1/4 SEC. 29-41-43 T. 41 S. R. 43 E. P.B. CO. DISC. IN CONC. 1744.00' N01°26'48"E EAST LINE S.W. 1/4'

DRAWING NUMBER

DRAWING NUMBER

DRAWING NUMBER

DRAWING NUMBER